



DC/DC 整机工控电源

JWDC 整机工控电源系列--75W 单路输出

JWDC Switching Power Supply Series--75W Single Output

典型性能 Typical Performance

- ◆外形尺寸: 160*98*40 (mm)
Dimension: 160*98*40 (mm)
- ◆宽输入电压范围 (2: 1 输入电压范围)
Wide range input voltage (2: 1 range input voltage)
- ◆高效率、高功率密度、低纹波
High efficiency、High power density、Low ripple & noise
- ◆低漏电流、过流恒流保护
Low leakage current, Over current protection with constant current
- ◆金属外壳, 八面屏蔽,
Metal shell, Eight face shield
- ◆安规: EN60950
Ann rules: EN60950



输入特性 Input Features

输入电压范围 Input voltage range	标称 48V Nominal voltage12V	24~70VDC
	标称 105V Nominal voltage24V	30~180VDC
	标称 225V Nominal voltage48V	70~380VDC
	标称 575V Nominal voltage48V	350~800VDC

输出特性 Output Features

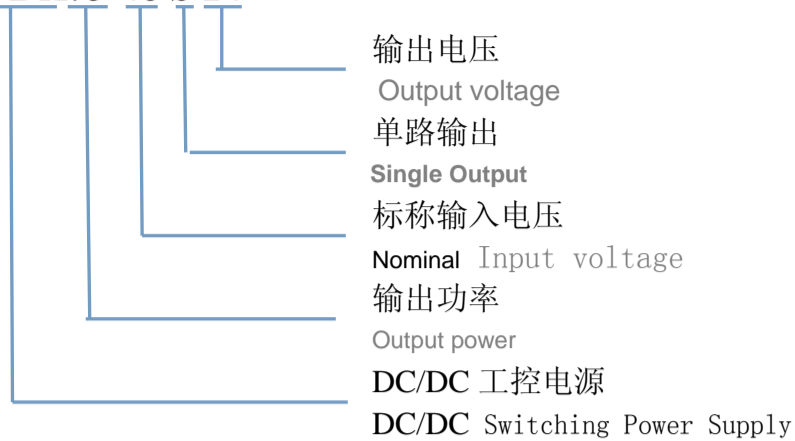
输出电压精度 Voltage tolerance	标称电压 Nominal voltage	$\cong \pm 1\%$ (3.3V、5V $\cong \pm 2\%$)
电压调整率 Line regulation (full load)	输入电压从低端到高端变化 Change of input voltage from lowend to highend	$\cong \pm 0.5\%$
可调范围 Adjustment range		$\pm 10\%$
负载调整率 Load regul	20%~100%负载变化 20%~100% Load change	$V_O \cong \pm 0.5\%$
纹波噪声 Ripple&Noise	20M 带宽 20M Bandwidth	$\cong 1\%$
温度系数 Temperature coefficient		$\pm 0.02\%/^{\circ}\text{C}$
过流保护 Output overcircuit Protection	恒流保护 constant current	115~150%额定电流,自恢复 115~150%rated output circuit,auto recovery
短路保护 Short Circuit Protection		长期, 自恢复 Long-term,auto recovery
过冲幅度 Overshoot	25%额定负载变化 25% rated load change	$\cong 25\mu\text{S}$
	$\Delta V_{01} / V_{01}$	$\cong \pm 5.0\%$

一般特性 General Features

隔离耐压 Withstand voltage	输入对输出、输入对地 I/P-O/P、I/P-F/G	2500VAC
	输出对地 O/P -F/G (1分钟, 漏电流 $\cong 2\text{mA}$) (1Mintute leakage current) $\cong 2\text{mA}$)	500VAC
绝缘电阻 Isolation resistance	500V	$\cong 50\text{M}\Omega$
MTBF	环境 25°C Environment 25°C	$2.0 \times 10^5 \text{Hrs}$
工作温度 Operating temperature	55°C以上降额使用 Above 55°C derating make	-25°C~70°C (-40°C~70°C)
储存温度 Storage temperature		-40°C~85°C
工作相对湿度 Operating humidity	无凝露及结冰现象 (non condensing)	10%~90%RH
储存相对湿度 Storage humidity	无凝露及结冰现象 (non condensing)	5%~95%RH
冷却方式 Cooling method		自然冷却 Convection

命名方式 Naming Rules

JWDK75-48 S 24



产品选型 Product selection

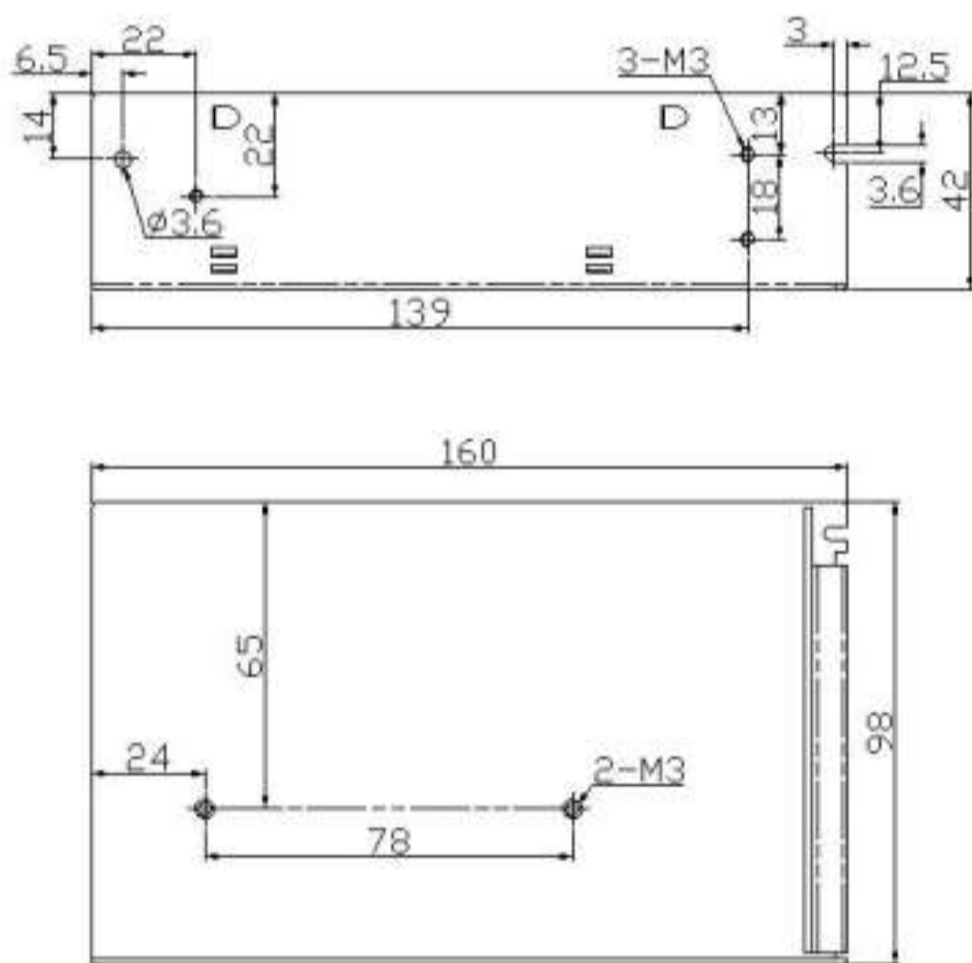
产品型号 Model No.	输入电压范围 Input voltage V_{in}	输出电压 Output voltage V_o	输出电流 Output current I_o	纹波噪声 R & N $V_{(P-P)mV}$	效率 Efficiency
JWDK75-48S5	24~70V	5V	15.0A	100	78%
JWDK75-48S12		12V	6.3A	120	81%
JWDK75-48S24		24V	3.2A	150	83%
JWDK75-105S5	30~180V	5V	15.0A	100	78%
JWDK75-105S12		12V	6.3A	120	81%
JWDK75-105S24		24V	3.2A	150	83%
JWDK75-225S5	70~380V	5V	15.0A	100	79%
JWDK75-225S12		12V	6.3A	120	82%
JWDK75-225S24		24V	3.2A	150	84%
JWDK75-575S5	350~800V	5V	15.0A	100	79%
JWDK75-575S12		12V	6.3A	120	82%
JWDK75-575S24		24V	3.2A	150	84%

注：因篇幅有限，以上只是部分产品列表，若需列表以外产品，请与本公司销售部联系。

Note: Due to space limitations, the above list is only for some products, if other than a list of products, please contact the Company's sales department.

安装尺寸图

Mechanical Data



注：电源安装尺寸如与选型手册不符，请以实物尺寸为准。

Note: Power mechanical data does not match with the hand book, Please refer to product size.