



DC/DC 整机工控电源

JWDC 整机工控电源系列--200W 双路输出

JWDC Switching Power Supply Series--150W dual Output

典型性能 Typical Performance

- ◆外形尺寸: 200*110*50 (mm)
Dimension: 200*110*50 (mm)
- ◆宽输入电压范围 (2: 1 输入电压范围)
Wide range input voltage (2: 1 range input voltage)
- ◆高效率、高功率密度、低纹波
High efficiency、High power density、Low ripple & noise
- ◆105°C 长寿命电解电容
105°C long life electrolytic capacitors
- ◆高可靠性、三年保修
High reliability、three-year warranty
- ◆安规: EN60950
Ann rules: EN60950



输入特性 Input Features

输入电压范围 Input voltage range	标称 24V Nominal voltage 24V	18~36VDC
	标称 48V Nominal voltage 48V	36~72VDC
	标称 110V Nominal voltage 110V	66~160VDC

输出特性 Output Features

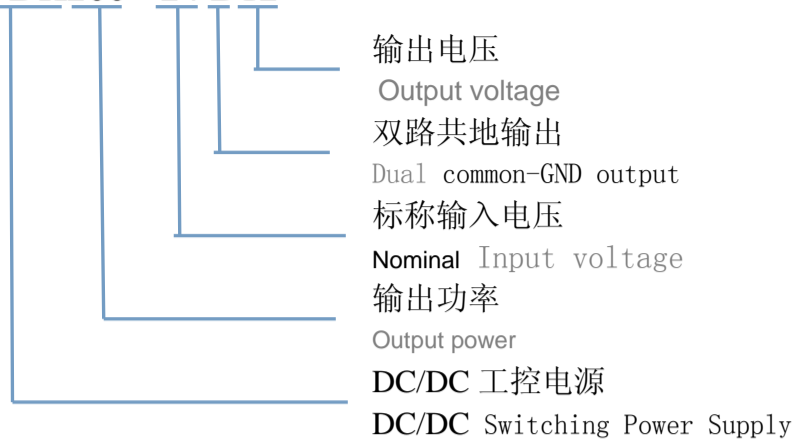
输出电压精度 Voltage tolerance	标称电压 Nominal voltage	$V_{O1} \leq \pm 1\%$ (3.3V、5V $\leq \pm 2\%$), $V_{O2} \leq \pm 5\%$
电压调整率 Line regulation (full load)	输入电压从低端到高端变化 Change of input voltage from lowend to highend	$V_{O1} \leq \pm 0.5\%$, $V_{O2} \leq \pm 1.5\%$
负载调整率 Load regul	20%~100%负载变化 20%~100% Load change	$V_{O1} \leq \pm 0.5\%$, $V_{O2} \leq \pm 3\%$
温度系数 Temperature coefficient		$\pm 0.02\%/^{\circ}\text{C}$
过功率保护 Output overload Protection		115~150%额定电流, 自恢复 115~150% rated output power, auto recovery
短路保护 Short Circuit Protection		长期, 自恢复 Long-term, auto recovery
过冲幅度 Overshoot	25% 额定负载变化 25% rated load change	$\leq 25\mu\text{S}$
	$\Delta V_{O1} / V_{O1}$	$\leq \pm 5.0\%$

一般特性 General Features

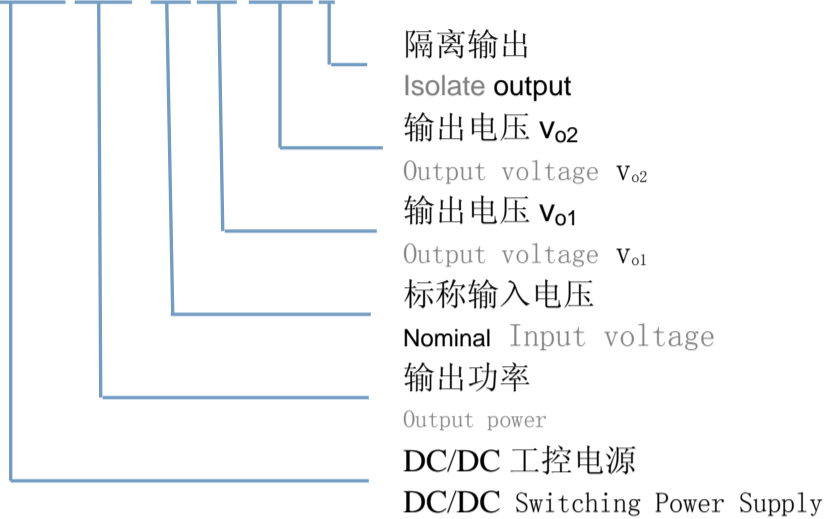
隔离耐压 Withstand voltage	输入对输出、输入对地 I/P-O/P、I/P-F/G	1500VAC
	输出对地 O/P -F/G	500VAC
	输出对输出 (隔离) O/P-O/P(500VDC
	(1分钟, 漏电流 $\leq 5\text{mA}$) (1 Mintute leakage current) $\leq 5\text{mA}$)	
绝缘电阻 Isolation resistance	500V	$\geq 50\text{M}\Omega$
MTBF	环境 25°C Environment 25°C	$2.0 \times 10^5 \text{Hrs}$
工作温度 Operating temperature	55°C 以上降额使用 Above 55°C derating make	-25°C~70°C (-40°C~70°C)
储存温度 Storage temperature		-40°C~85°C
工作相对湿度 Operating humidity	无凝露及结冰现象 (non condensing)	10%~90%RH
储存相对湿度 Storage humidity	无凝露及结冰现象 (non condensing)	5%~95%RH
冷却方式 Cooling method		自然冷却 Convection

命名方式 Naming Rules

JWDK200 - 24 D12



JWDK200- 24 S5 S12 I



产品选型 Product selection

产品型号 Model No.	输入电压 Input voltage V_{in}	输出电压 Output voltage V_O	输出电流 Output current I_O	输出电压精度 Output voltage tolerance	纹波噪声 R&N $V_{(P-P)mV}$	效率 Efficiency
JWDK200--24D12	18~36V	+12V	0.8~8.3A	±1%	120mV	86%
		-12V	0.8~8.3A	±3%	120mV	
JWDK200--24D24		+24V	0.4~4.2A	±1%	150mV	88%
		-24V	0.4~4.2A	±3%	150mV	
JWDK200--24S24S12I		+24V	1.0~7.0A	±1%	200mV	87%
		+12V	0.3~ 3.0A	±3%	120mV	
JWDK200--24S12S5I		+12V	1.5~14.5A	±1%	150mV	84%
		+5V	0.5~5.0A	±5%	100mV	
JWDK200--24S24S5I		+ 24V	0.8~7.5A	±1%	200mV	85%
		+5V	0.5~ 5.0A	±5%	100mV	
JWDK200--48D12	36~72V	+12V	0.8~8.3A	±1%	120mV	86%
		-12V	0.8~8.3A	±3%	120mV	
JWDK200--48D24		+24V	0.4~4.2A	±1%	150mV	88%
		-24V	0.4~4.2A	±3%	150mV	
JWDK200--48 S24S12I		+24V	1.0~7.0A	±1%	200mV	87%
		+12V	0.3~ 3.0A	±3%	120mV	
JWDK200--48S12S5I		+12V	1.5~14.5A	±1%	150mV	84%
		+5V	0.5~5.0A	±5%	100mV	
JWDK200--48S24S5I		+ 24V	0.8~7.5A	±1%	200mV	85%
		+5V	0.5~ 5.0A	±5%	100mV	
JWDK200--110D12	66~160V	+12V	0.8~8.3A	±1%	120mV	86%
		-12V	0.8~8.3A	±3%	120mV	
JWDK200--110D24		+24V	0.4~4.2A	±1%	150mV	88%
		-24V	0.4~4.2A	±3%	150mV	
JWDK200--110S24S12I		+24V	1.0~7.0A	±1%	200mV	87%
		+12V	0.3~ 3.0A	±3%	120mV	
JWDK200--110S12S5I		+12V	1.5~14.5A	±1%	150mV	84%
		+5V	0.5~5.0A	±5%	100mV	
JWDK200--110S24S5I		+ 24V	0.8~7.5A	±1%	200mV	85%
		+5V	0.5~ 5.0A	±5%	100mV	

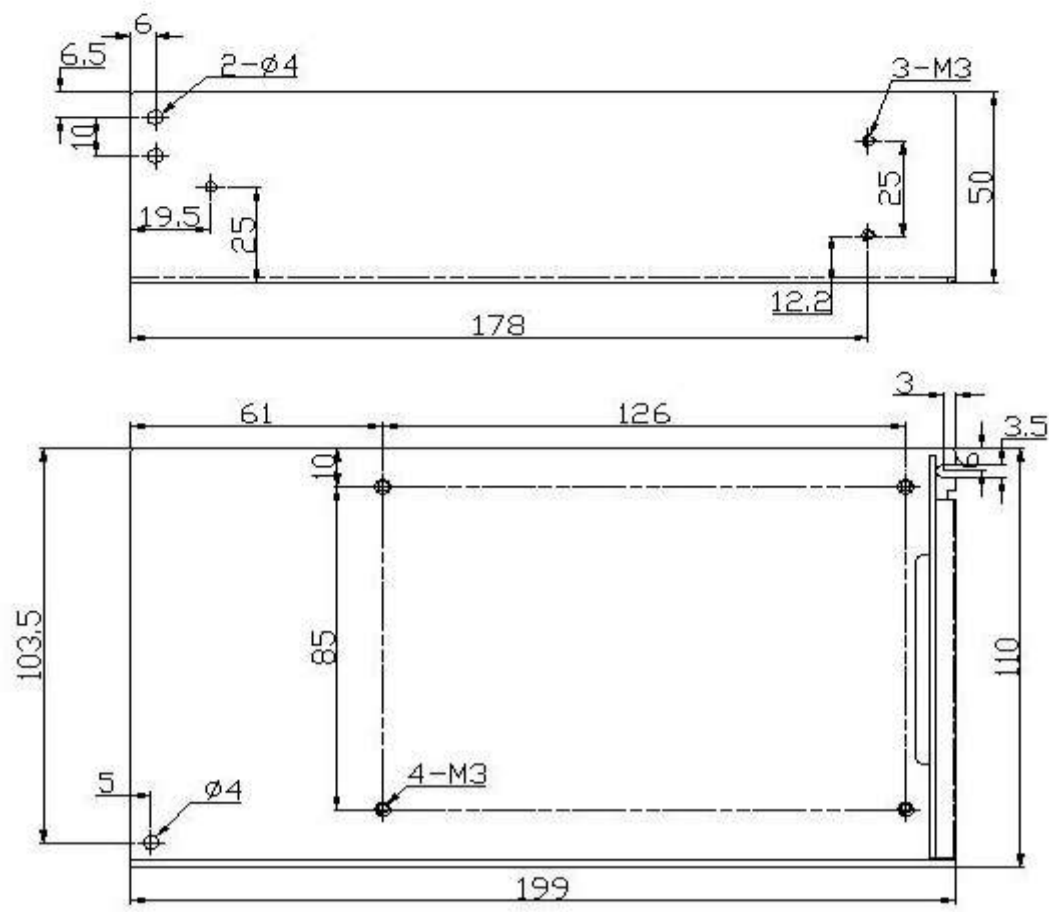
注：1、纹波噪声测试方法：使用一根 12” 双绞线，在终端并联 0.1uF 和 47uF 电容，在 20MHz 带宽下测试。

2、因篇幅有限，以上只是部分产品列表，若需列表以外产品，请与本公司销售部联系。

Note: 1、Ripple & noise are measured at 20MHz of bandwidth by using a 12”twisted pair-wire terminatedwith a 0.1uF & 47uF parallel capacitor

2、Due to space limitations ,the above list is only for some products, If other than a list of products, please contact the Company's sales department.

安装尺寸图 MechanicalData



注：电源安装尺寸如与选型手册不符，请以实物尺寸为准。

Note: Power mechanical data does not match with the hand book, Please refer to product size.